

INGENIERIA ELECTRONICA APLICADA A LAS VIBRACIONES

José María Mestre No. 26, Col. Miguel Hidalgo 1ª Sección, México, D. F. C. P. 14260
 Tel. +52 55 5606 42 17 Móvil: 55 2083 3466
daniel.paredes@ieav.com.mx

www.ieav.com.mx

Mechanalysis (India) Ltd
www.mechanalysisindia.com
 Category: Sensors



PRODUCT SPECIFICATION

Inductive Velocity Sensor: On-Line, Round Base
 Top Connector

Model No:
 MIL544B

Part Number:
 M120083

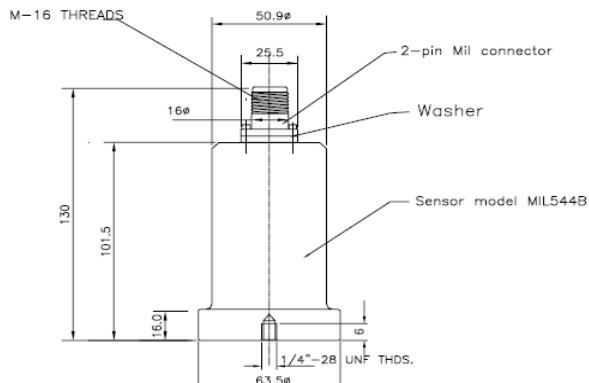
The Mechanalysis model MIL544B inductive vibration sensor is an industrial vibration measuring sensor where a smaller mounting foot print is required for continuous on-line machinery protection, especially at the steam end of turbines (up to 260°C) and generator bearings. In production for over 35 years it continues to be the World's most widely used velocity sensor. The sensor can be mounted horizontal or vertical on a flat surface at the bearing housing or other critical points on a machine. It provides reliable continuous performance under a variety of adverse environmental conditions.

The MIL544B inductive seismic velocity sensor has a high output and low impedance, good frequency response makes the suitable for all types of machinery protection. The sensor's case insulates the signal from the housing to eliminate false alarms often encountered from ground loops and power surges. The sensor's hard anodized aluminium housing is IP65, waterproof, dustproof and approved for use in Division 2 hazardous areas. Calibrated to traceable National Standards, the sensor is supplied with a full frequency calibration test certificate. It can be serviced at MIL's National Service Centre.

Optional accessories:

	Qty	Part Number
Magnetic shield (reduce sensitivity to AC magnetic field by 100:1)	1	M10449
Straight cable connector rated for continuous operation at 121°C	1	M43660
Right-angle connector rated for continuous operation at 121°C	1	M14797
Sensor Mounting Pad, 63mm ϕ , Mild Steel for MIL544B	1	M60016
Sensor Mounting Pad, 63mm ϕ , Stainless Steel for MIL544B	1	M60017
Mounting Block (XY) for Model 544M Velocity Sensors	1	M60014
Mounting Bracket MS (XY) for Sensor	1	M60019
Mounting Bracket AL (XY) for Sensor	1	M60020

Dimensions



Specifications

Technical Performance

Frequency Response:	14 to 1,000 Hz within $\pm 8\%$ 10Hz -20% (average) at 21°C
Sensitivity:	42.52 mV/mm/sec $\pm 10\%$
Impedance:	R=2k ohms, L = 0.7 H at 21°C
Maximum Amplitude:	3175 microns Pk - Pk to 70 Hz; 30 g above 70 Hz
Transverse Response:	< 5% (average) 10 to 1,000 Hz
Isolation	Signal insulated from case

Environmental

Operating range:	-40°C to 260°C
Housing:	IP65
Classification	Class 1 Div 2

Mounting

Orientation:	Any (horizontal & vertical best)
Mounting:	1/4" -28 UNF Single Stud
Grounding:	Case and signal ground isolated
Connector	2-pin Mil Spec

Weight & Dimensions

Weight:	0.65Kg
Dimensions	Base 63.5mm (Diam) 123.8 (H) overall
Construction:	Aluminium, hard anodised

IRD® is the Registered Trademark of IRD Mechanalysis® Ltd

IRD Mechanalysis Ltd. strives to continue to improve the above specification and retains the right to change them without notice

condition management solutions