

INGENIERIA ELECTRONICA APLICADA A LAS VIBRACIONES

José María Mestre No. 26, Col. Miguel Hidalgo 1ª Sección, México, D. F. C. P. 14260
 Tel. +52 55 5606 42 17 Móvil: 55 2083 3466
daniel.paredes@ieav.com.mx

www.ieav.com.mx

IRD Mechanalysis Ltd



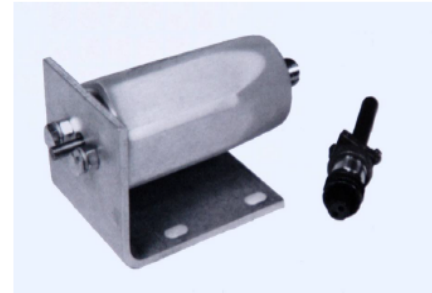
www.irdmechanalysis.com

PRODUCT DATA SHEET

IRD546DP Inductive Velocity Sensor Rotor Balancing Applications Top Connector



The IRD Mechanalysis model IRD546DP is a high-sensitivity velocity sensor for use in displacement type balancing machines. With the prod magnetically attached to the vibrating part and the case rigidly mounted to a fixed reference, voltage output is directly proportional to vibration velocity. The magnetic prod eliminates alignment problems when installing the sensor. Electrical characteristics of the IRD546DP are the same as the proven IRD544 vibration sensor.



Accessories	Qty	Part Number
Cable connector	1	M43660
Magnetic Prod (Spare)	1	M10170

Specification

Performance

Frequency Response: - 0-2,500Hz \pm 5%
 Dynamic Range: - 3.17mm pk-pk
 Probe travel: - 9.5mm pk-pk
 Sensitivity: - 42.52 \pm 10% mV/mm/sec Pk
 Impedance: - R=2k ohms, L = 0.7 H at 21°C

Mounting

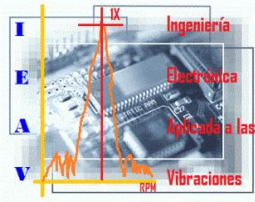
Orientation: - Sensitive axis horizontal
 Grounding: - Case and Signal Ground common
 Connector: - 2-pin equivalent to MS-3102A-10SL-4P
 Sensor Prod - Directly connected by a magnetic prod to machine motion block

Environmental

Operating range: - -40°C to 121°C
 Sealed: - To IEC IP50

Weight & Dimensions

Weight: - 0.907 Kg
 Dimensions: - 63.5mm (W) x 63.5mm (D) x 138mm (L)

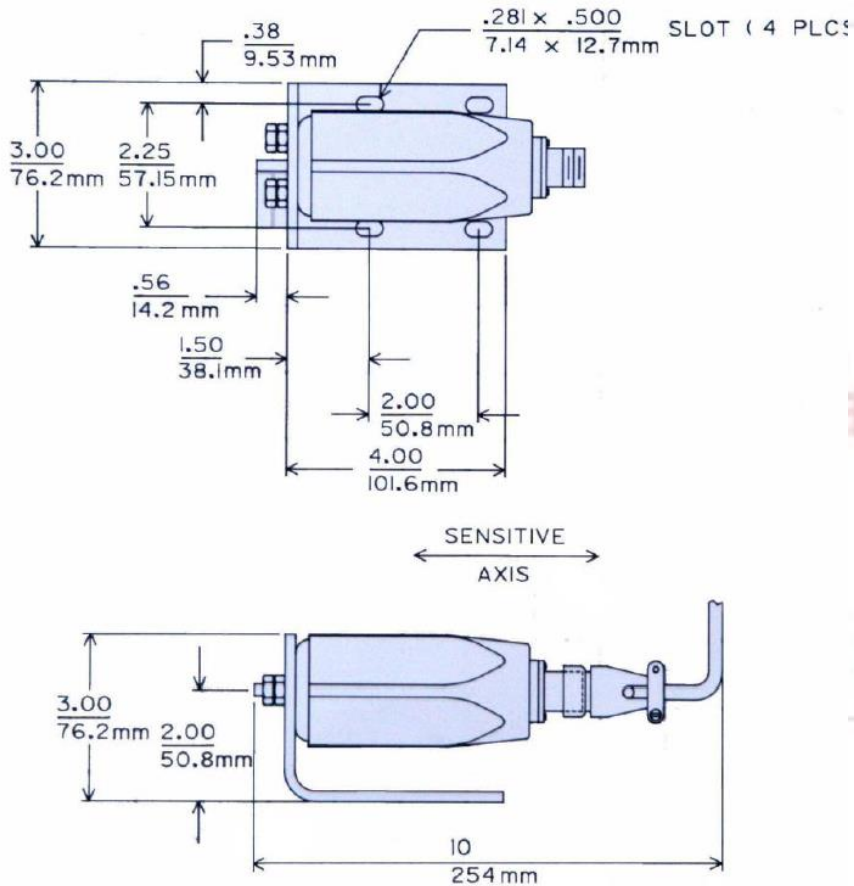
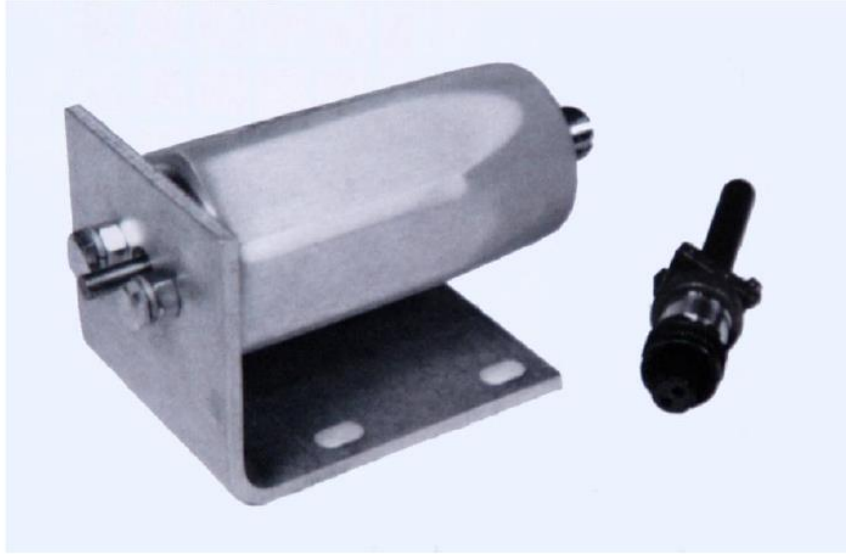


INGENIERIA ELECTRONICA APLICADA A LAS VIBRACIONES

José María Mestre No. 26, Col. Miguel Hidalgo 1ª Sección, México, D. F. C. P. 14260
 Tel. +52 55 5606 42 17 Móvil: 55 2083 3466
daniel.paredes@ieav.com.mx

www.ieav.com.mx

PRODUCT SPECIFICATION



IRD Mechanalysis Ltd. continuously improves products; it therefore retains the right to change the above specification without notice

IRD® is the Registered Trademark of IRD Mechanalysis® Ltd

IRD Mechanalysis Ltd. strives to continue to improve the above specification and retains the right to change them without notice

condition management solutions